

Installation Instructions



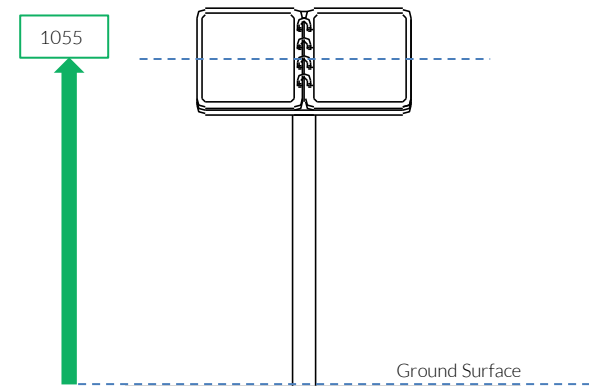
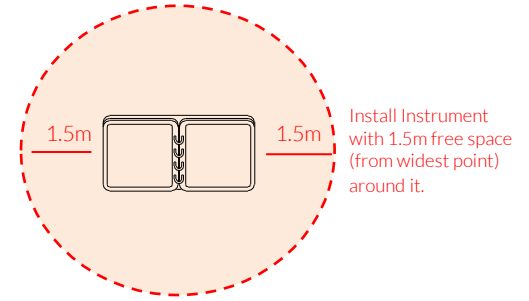
1. Attach the steel legs to the base of the instrument with the M8 Nyloc Nuts and 2 part security caps. **(1.1)** (See Assembly Guide)

2. Attach Surface Fixing posts to legs. **(1.2)** (See Ground Fix Post Installation Sheet)

3. **Locate Plate** in desired location and mark holes to fix to desired surface.

4. **Fix to Surface** using recommended ground anchors not supplied.

5. Make sure all fixings are covered and secure using cover caps provided



Weight of heaviest part **10kg** (Music Book)

Surface Fixed

Music Book
Page 1 of 3



Instrument Components:

x4
M8 Nyloc Nut

x4
2 Part Cover Cap M8

Metric
Conversion:
250mm/ 10"
300mm/ 12"
450mm/ 18"
700mm/ 28"
850mm/ 33"
1.5m/ 59"

Surface Fix
Components:



Surface Fixed

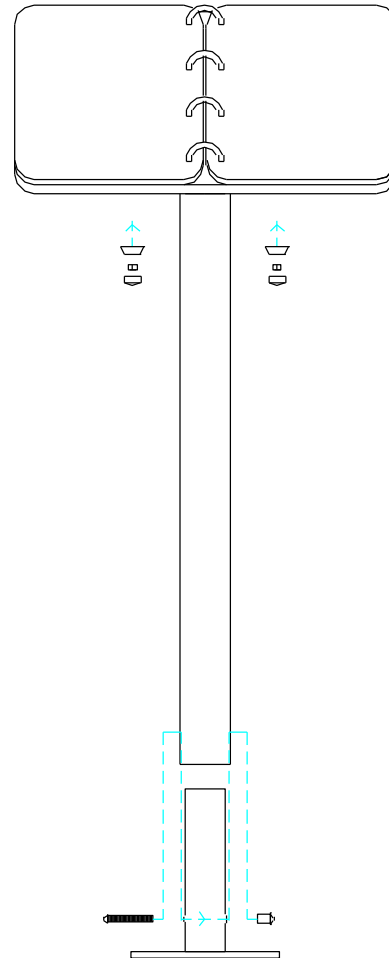
Music Book
Page 2 of 3



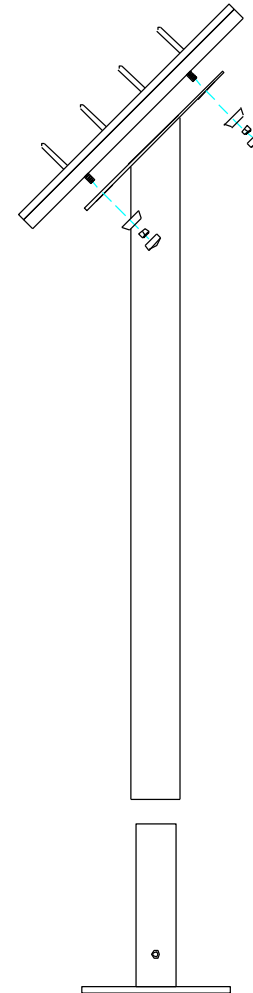
Instrument Components:

 x4
M8 Nyloc Nut

 x4
2 Part Cover Cap M8







PPCONG FRONT



PPCONG SIDE

COMPONENTS LIST:

-  2 Part Cover Cap M8 X4
-  M8 Nyloc nut X4
-  M10x70 Pin torx X1
-  M10 Barrel Nut Pin torx X1



Surface Fixed

Music Book
Page 3 of 3



Components:



x1

M10 Barrel Nut



x1

M10x70 Security Screw



x4

2 Part Cover Cap

Thread Lock Solution
Required (Not Supplied)

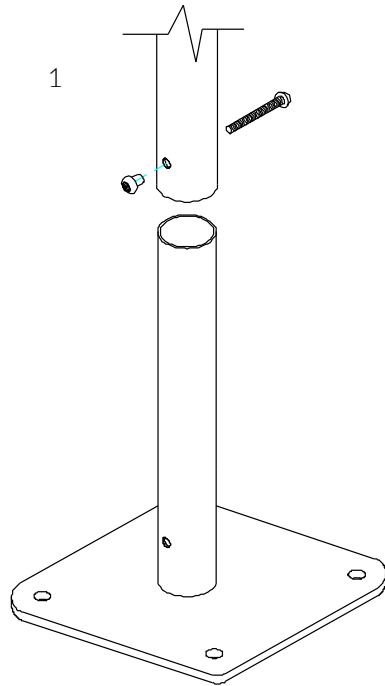
Metric Conversion:

50mm/ 2"
250mm/ 10"
300mm/ 12"
350mm/ 14"
400mm/ 16"
450mm/ 18"

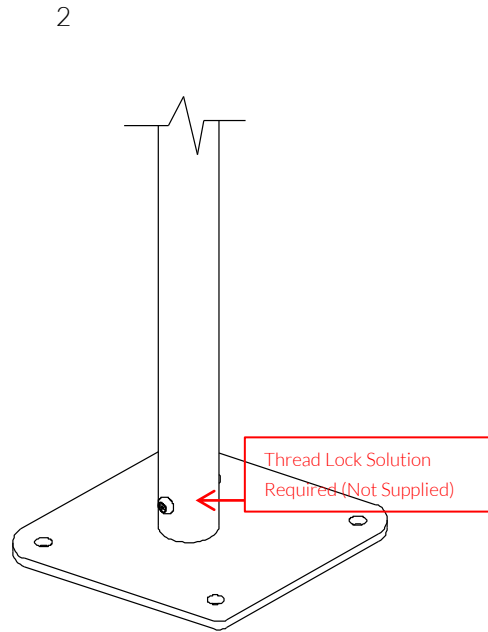


MADE IN
BRITAIN

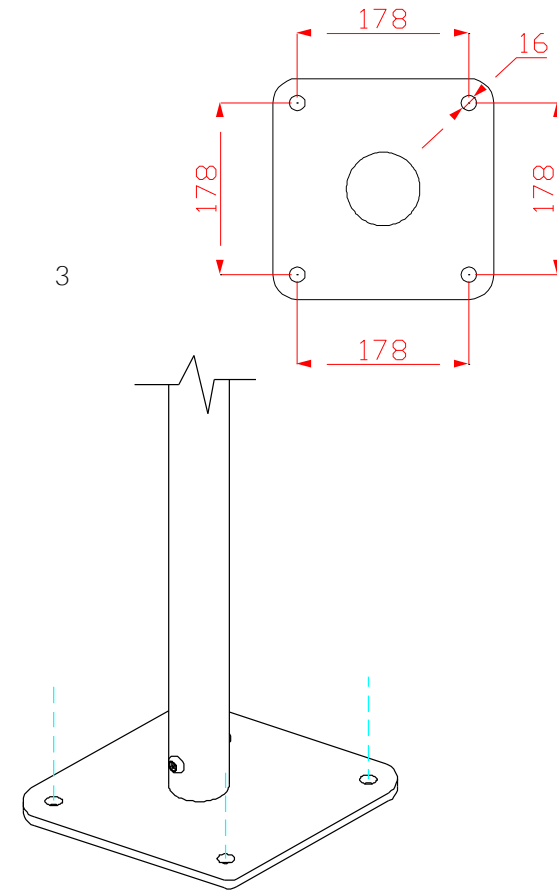
BSEN 1176



Locate the Surface fix
Plate into the leg of the
instrument.



Fix instrument to Surface
fix plate using M10 bolt
and Barrel Nut and use
thread locking solution
to prevent fixings working
loose.



Fix Surface Plate to the
ground surface **Ground
Anchors Not provided**
cover fixings with caps
provided

